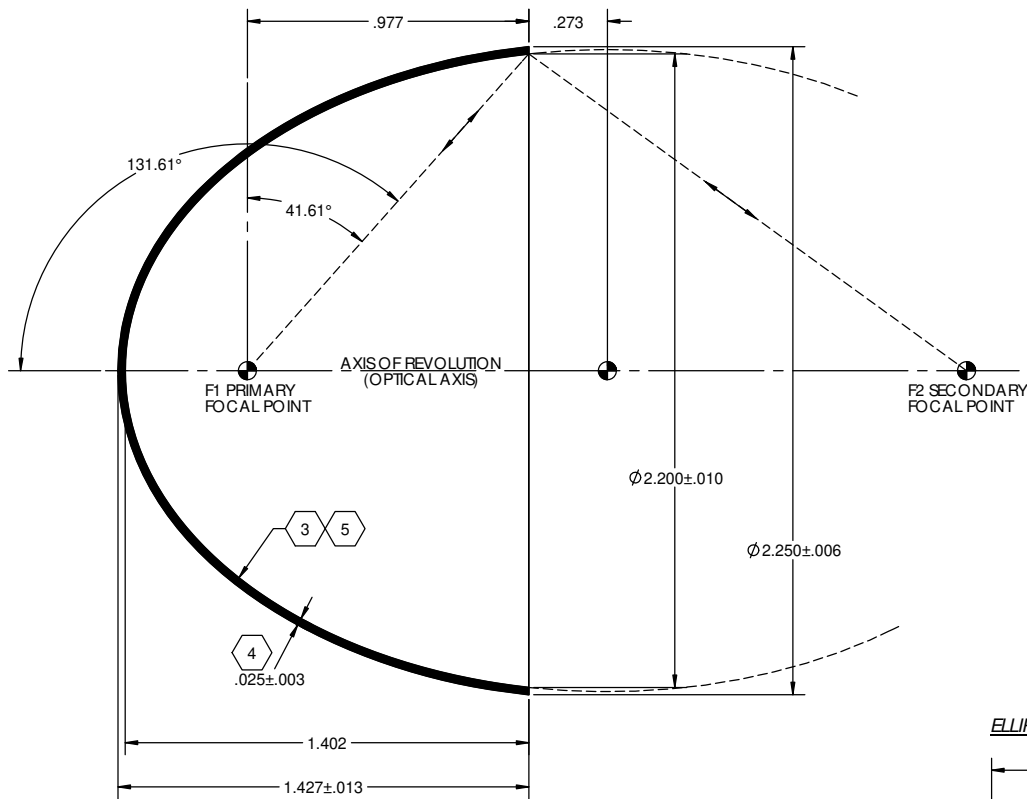


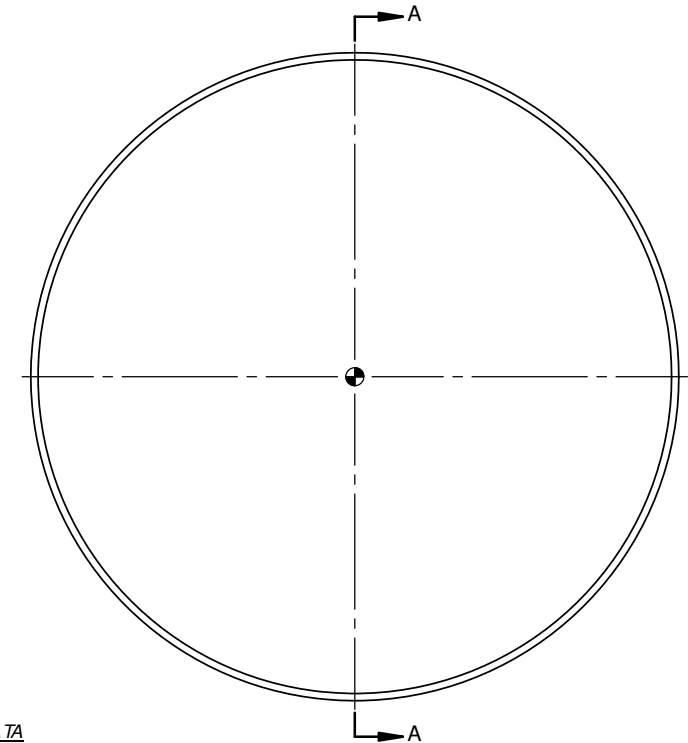
REVISIONS			
REV.	DESCRIPTION	DATE	APPROVED
0	INITIAL SOLIDWORKS DRAWING RELEASE	04/16/12	JEH

NOTES: UNLESS OTHERWISE SPECIFIED

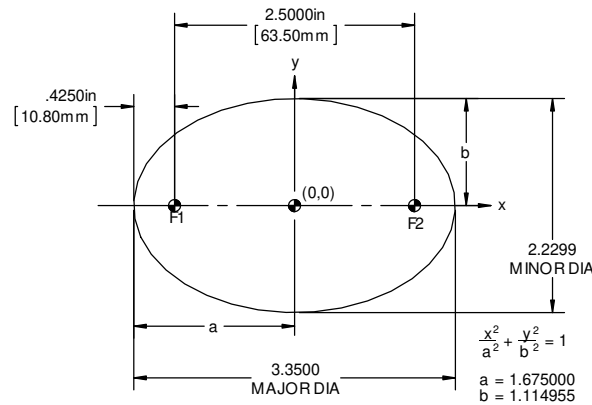
- SPECIFICATION CONTROL DRAWING.
- DEBURR SHARP EDGES .015 MAX.



SECTION A-A



ELLIPSOID GEOMETRY DATA



- REFLECTOR TO BE REPLICATED FROM SPECIFIED MASTER TOOL EXHIBITING REQUIRED ELLIPTICAL GEOMETRY AND SPECULAR SURFACE FINISH OF 80-50 SCRATCH-DIG PER MIL-0-13830A.
- NOMINAL THICKNESS MAY VARY ±.008 WITHIN .25 OF EDGES
- FINAL REFLECTIVE SURFACE CONDITION WITH AVAILABLE REFLECTIVITY ENHANCEMENT COATINGS DEFINED AS FOLLOWS: (ADD DESIGNATED SUFFIX TO P/N)

- PH ELECTRO-DEPOSITED BRIGHT RHODIUM
- AQ VACUUM DEPOSITED ALUMINUM WITH SiO₂ (QUARTZ)
- AF VACUUM DEPOSITED ALUMINUM WITH MgF₂ (MAGNESIUM FLUORIDE)
- DCC DICHROIC COAT COATING - SPECIFY WAVELENGTH REGION
- SP OTHER SPECIAL COATINGS AS SPECIFIED

TOTAL PLATED SURFACE AREA: 0.0598 S.F.

UNLESS OTHERWISE SPECIFIED DIMENSIONS ARE IN INCHES FRACTIONS DECIMALS ANGLES ± 1/16 ± .005 ± 1/2°		CONTRACT NO. 00-E64		42310 WINCHESTER RD. TEMECULA, CA 92590 WWW.OPTIFORMS.COM	
MATERIAL ELECTROFORMED NICKEL - LSN TYPE 1		APPROVALS JEH	DATE 04/18/12	REFLECTOR, ELLIPTICAL NO VERTEX	
FINISH NOTE 3, 6		CHECKED		SIZE C	CAGE CODE 0Y1Y4
NEXT ASSY		ENGR KMT	DATE 04/18/12	DWG. NO. E64NV-0100	REV 0
APPLICATION -DO NOT SCALE DRAWING-		DESIGN ACTIVITY		SCALE 3:1	SHEET 1 OF 1