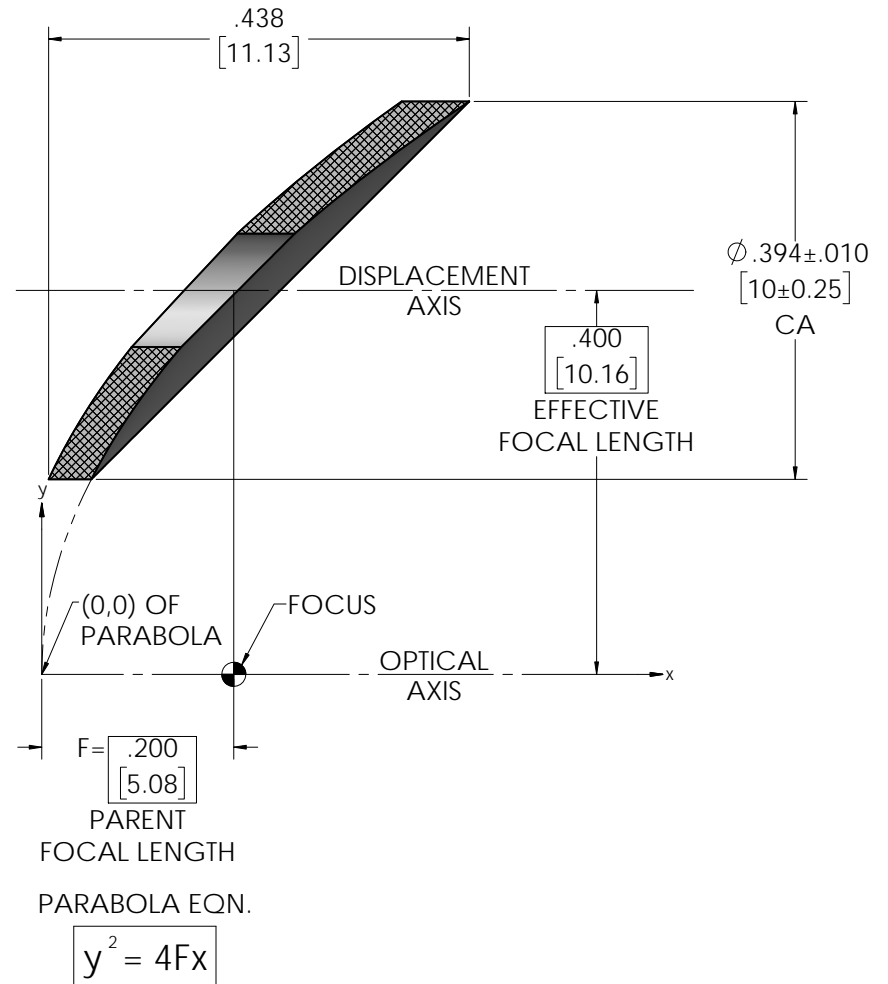
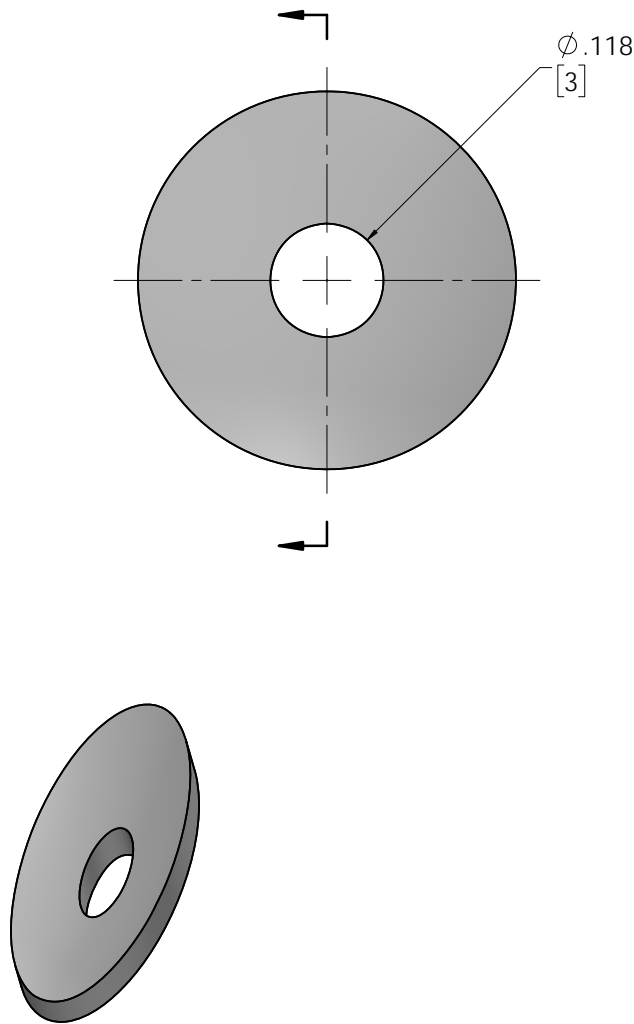


INFORMATION IN THIS DRAWING IS FOR REFERENCE ONLY

REVISIONS			
REV	DESCRIPTION	DATE	APPROVED
Ø	INITIAL DRAWING RELEASE	09/23/16	JMK
A	REVISED TO CURRENT DRAWING STANDARDS	11/16/17	JPH

NOTES: UNLESS OTHERWISE SPECIFIED

- REFLECTOR SURFACE QUALITY: ELECTROFORM REFLECTOR FROM MASTER TOOL WITH SPECULAR SURFACE FINISH OF 80-50 SCRATCH-DIG PER MIL-O-13830A.
- REFLECTOR: ELECTROFORMED - NICKEL LSSN TYPE 1.



UNLESS OTHERWISE SPECIFIED DIMENSIONS ARE IN INCHES [mm] GD&T PER ASME Y14.5-2009 DO NOT SCALE DRAWING		CONTRACT NO. 11-OAP5		42310 WINCHESTER RD. TEMECULA, CA 92590 WWW.OPTIFORMS.COM	
TOLERANCES		DRAWN JMK	DATE 09/23/16	optiforms	
FRACTIONS ± 1/16	DECIMALS XXX ± .02 .XXX ± .005	CHECKED	DATE	OFF-AXIS ASSY, PARABOLIC OAP5 SEGMENT	
ANGLES ± 1/2°		ENGR KMT	DATE 09/23/16	SIZE C	CAGE CODE 0Y1Y4
SURFACE ROUGHNESS DEBURR SHARP EDGES & HOLES (RMS) .015 MAX. CHAMFER THREADS .01 PAST ROOT DIAMETER		MATERIAL SEE NOTE 2		DWG. NO. OAP5-0000-XXXX	REV A
THIRD ANGLE PROJECTION		FINISH N/A		SCALE 10:1	WT. (REF) 0.0 lbs
				CAD NO. OAP5-0001	SHEET 1 OF 1